

FINANCIAL SUPPLIES

- **Stock and Custom ATM Rolls**
- **Teller & Audit Rolls/Fanfold**
- **Imaging Supplies**

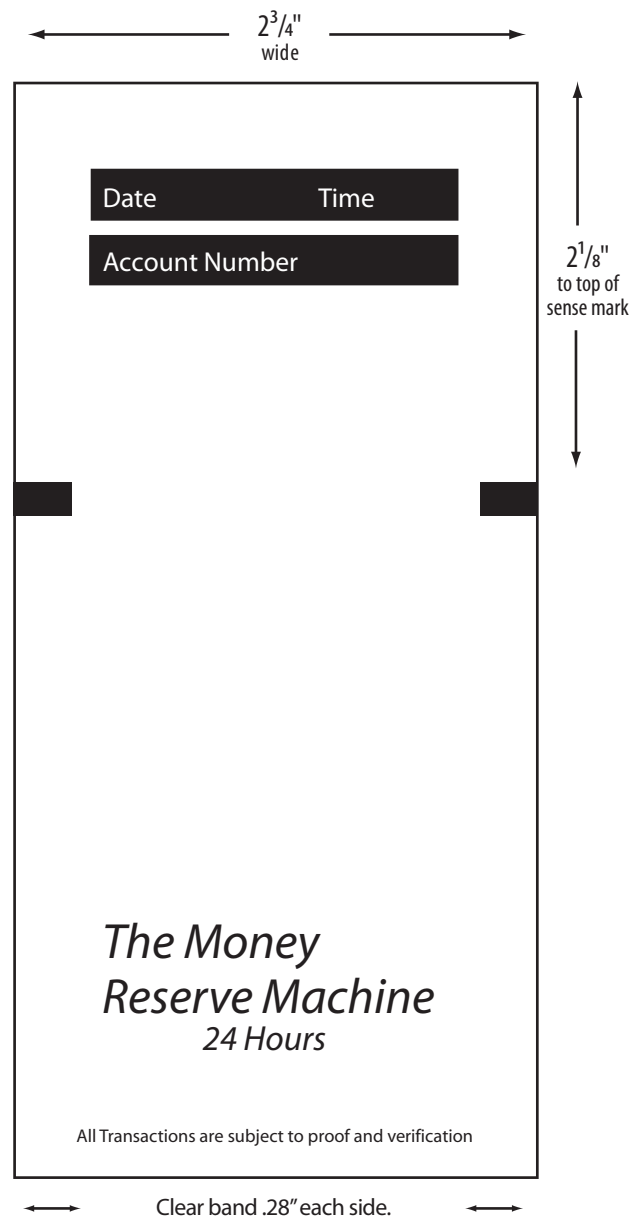
Table of contents

table of contents

Diebold 1000	4
Diebold Cash Source Plus 100/200/400	4
Diebold 10722IX and Opteva 5000 Series	5
NCR (Thermal) 5670	6
NCR 570/5080/5081/5085/5088	7
FUJITSU 7015/25/45	7
ATM Rolls	8
Financial Rolls	9
Coin/Currency Wraps	12
Ribbons, Rollers, Cartridges	13
Basic specifications for paper rolls	18
Why Buy Compatible	

Diebold 1000 Series

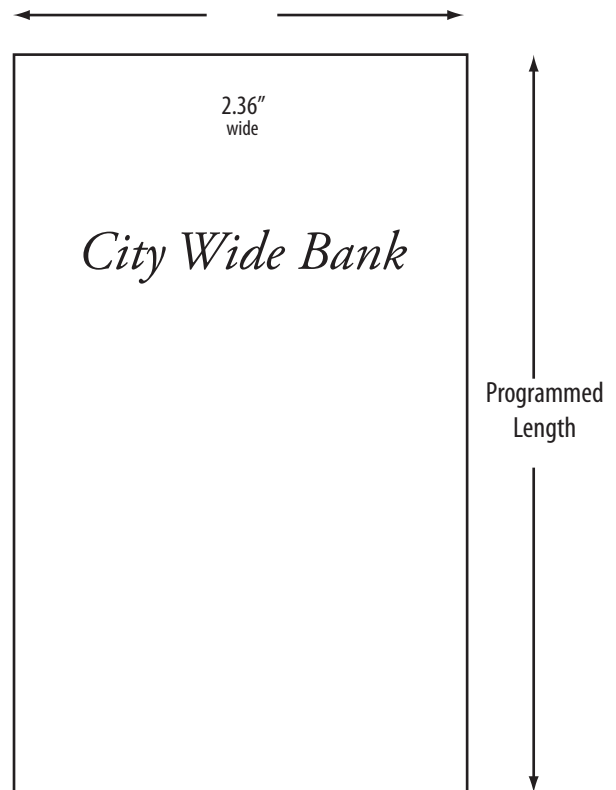
Item #	77122
Size:	2 ³ / ₄ " Wide x 7 ¹ / ₂ " Approx. Diameter
Paper:	15.5# White Bond
Repeat Length:	6"
Footage:	1,250 feet
No. Receipts:	2,500 per roll
Packed:	8 Rolls/Case
Color (PMS):	Up to 3, plus sense mark
Case Weight	29 lbs.



Diebold Cash Source Plus 100/200/400

Item #	77129
Size:	2.36" x 6" Diameter
Paper:	Thermal
Repeat Length:	Variable/Programmed
*Footage:	911 feet
*No. Receipts:	Variable
Packed:	12 Rolls/Case
Color (PMS):	Up to 4, plus colors recommend on non-coated side
*Case Weight	27 lbs. Approx.

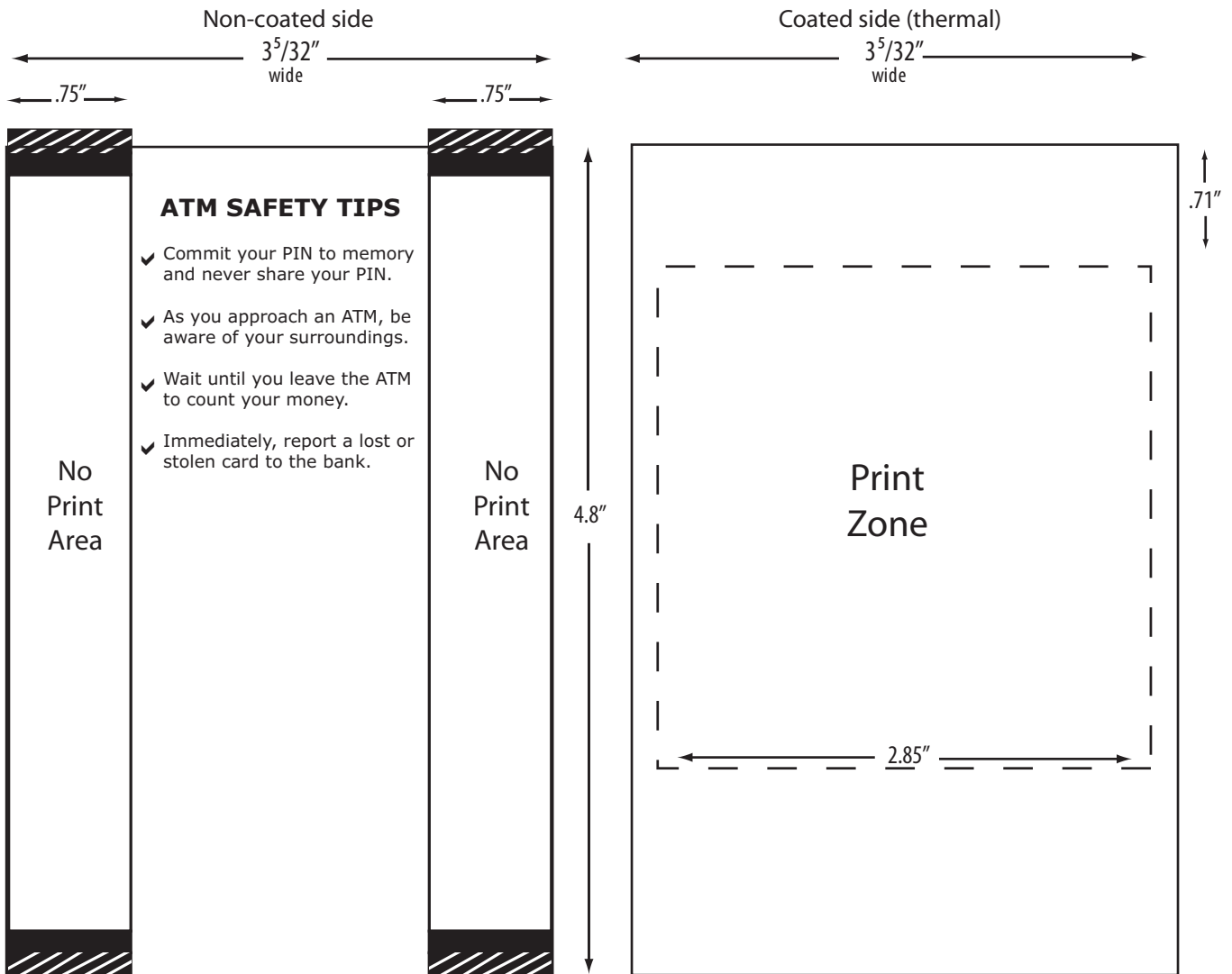
* Variables based on grade of thermal paper, diameter of roll and repeat length required.



Suggest printing on the non-coated (reverse) side of thermal paper. If printing on face is desired, please make this request in writing.

Diebold 1072IX and Opteva 5000 Series

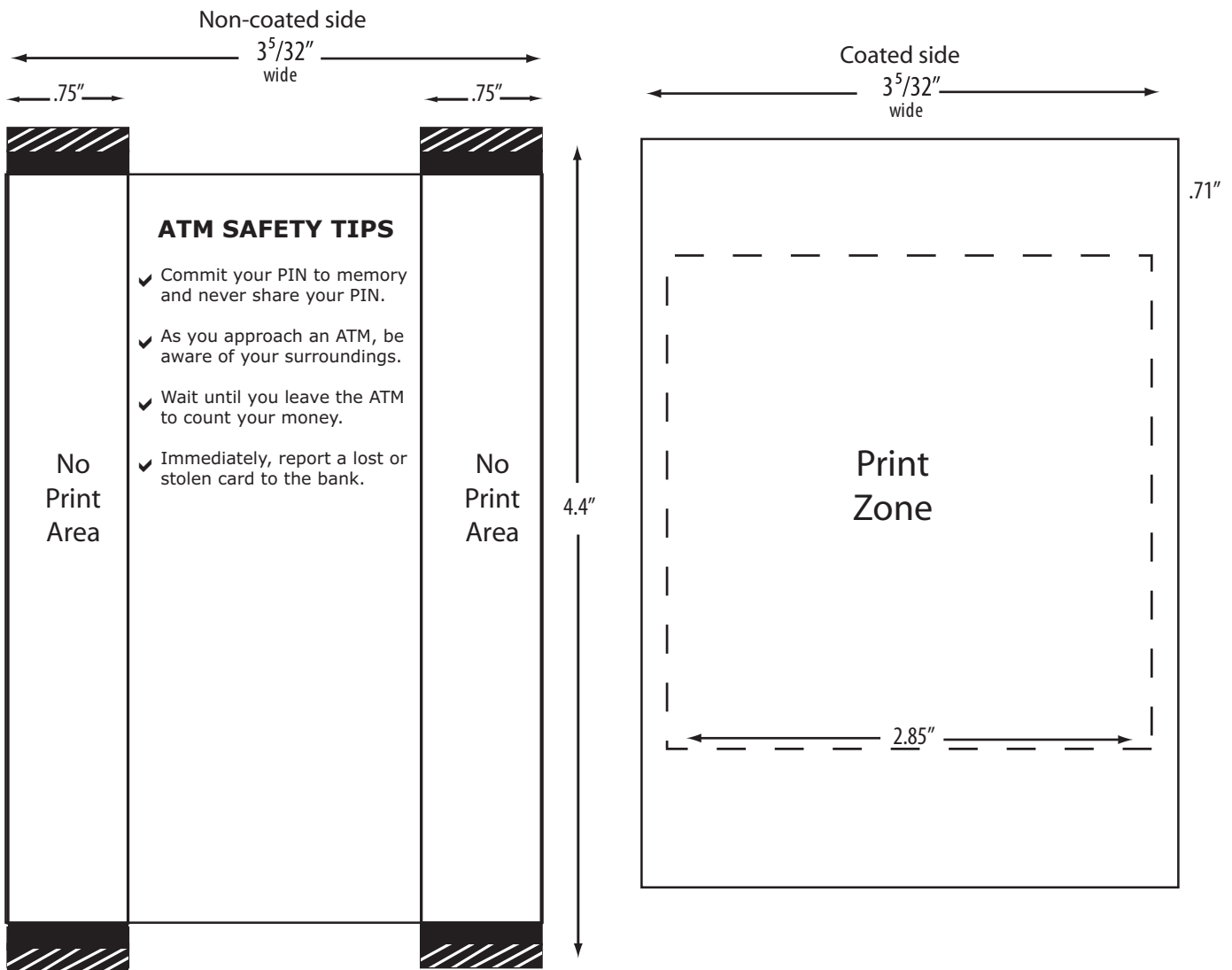
Item #	77123
Size:	3 ⁵ / ₃₂ " Wide x 9 ³ / ₈ " Approx. Diameter
Paper:	Thermal
Repeat Length:	4.8"
Footage:	2500 feet
No. Receipts:	6,250 per roll
Packed:	4 Rolls/Case
Color (PMS):	Up to 3, plus sensemark
Case Weight	33 lbs. Approx.



Suggest printing on the non-coated (reverse) side of thermal paper.
If printing on face is desired, please make this request in writing.

NCR [Thermal] 5670

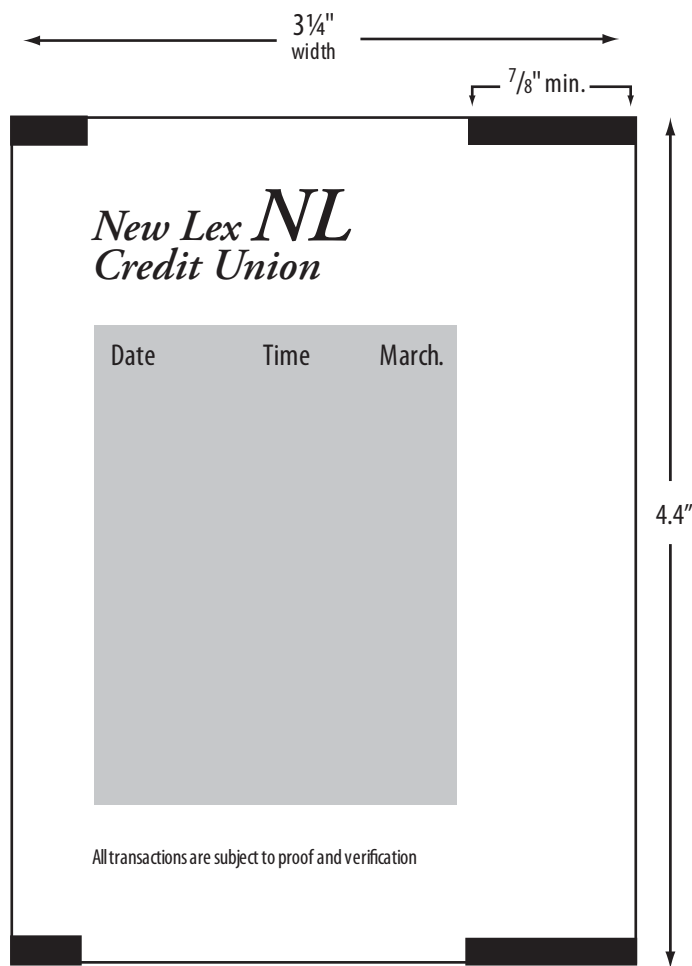
Item #	10949
Size:	3 ⁵ / ₃₂ " Wide x 8 ⁵ / ₁₆ " Approx. Diameter
Paper:	Thermal
Repeat Length:	4.4"
Footage:	1,982 feet
No. Receipts:	5,400 per roll
Packed:	4 Rolls/Case
Color (PMS):	Up to 3 plus sensemark
Case Weight	26 lbs.



Suggest printing on the non-coated (reverse) side of thermal paper.
If printing on face is desired, please make this request in writing.

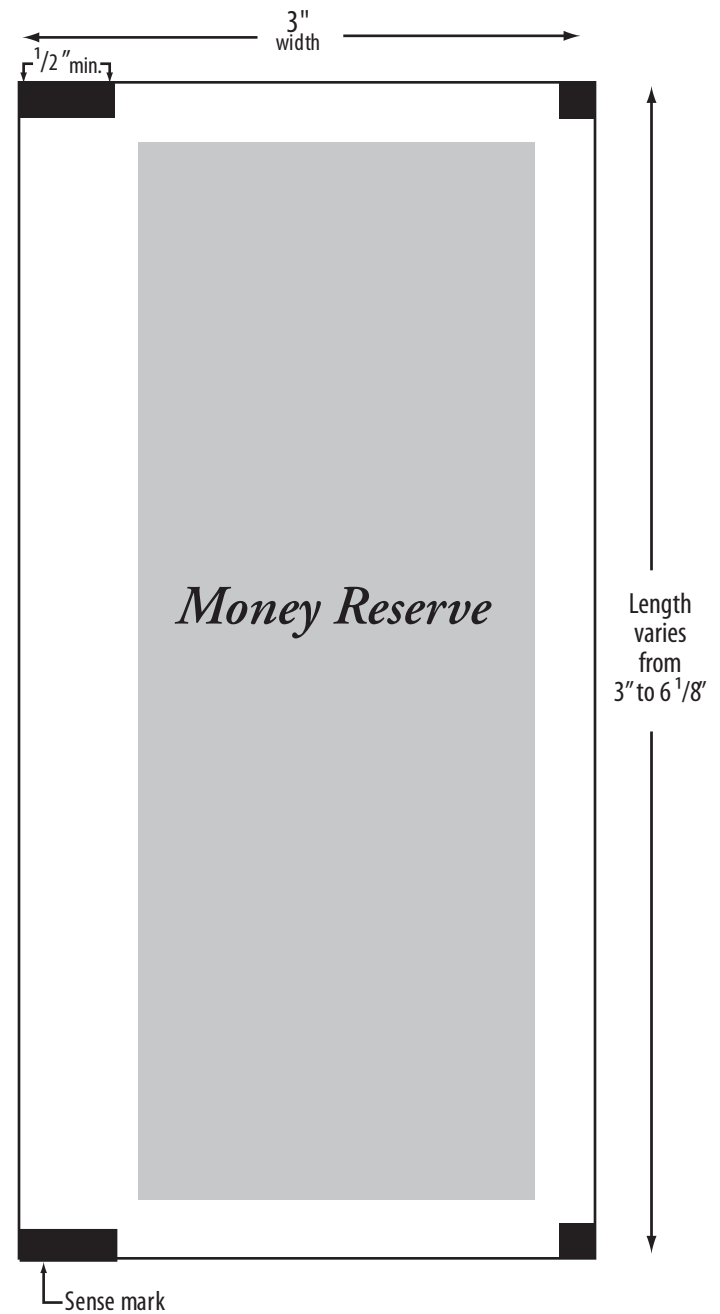
NCR 5070/5080/5081/5085/5088

Item # 10942
 Size: 3¹/₄" Wide x 10"
 Approx. Diameter
 Paper: 15.5# White Bond
 Repeat Length: 4.4"
 Footage: 2,162 feet
 No. Receipts: 5,896 per roll
 Packed: 4 Rolls/Case
 Color (PMS): Up to 3, plus sense mark
 Case Weight 32 lbs.



FUJITSU 7015/25/45

Item # 60216
 Size: 3 x 8" or 9.45" Diameter
 Paper: 15.5# White Bond
 Repeat Length: 3" to 6¹/₈"
 Footage: 1,890 feet
 No. Receipts: Varies
 Packed: 4 Rolls/Case
 Color (PMS): Up to 3, plus sense mark
 Case Weight 25 lbs.



ATM - ROLLS

PAPER ROLL SPECIFICATIONS								PACKAGING	
Product No.	O.E.M. Code	Model	Width (In.)	Approx. Dia.(In.)	Approx. (Ft.)	Paper Description	Core I.D. x O.D.	Rolls Case/Pk.	Case Wt.

DIEBOLD

77122	50488A	1000 MDS, 1050, 1060, 1062, 1073, 1074, IX Series (Sense Mark, Wound In)	2 3/4	7 9/16	1250	Bd. 15# W	7/16 X 7/8	8/Bulk	29
77126	50539A	1060Z, 1061, Phase I/II (Sense Mark, Wound Out)	2 3/4	7 9/16	1250	Bd. 15# W	7/16 X 7/8	8/Bulk	30
85015	50500A	1060 Audit	3	3 3/16	195	Bd. 15# W	7/16 X 7/8	48/4T.12R	31
85702	50379A	1000/9000 Audit	3 7/16	3 3/16	250	Bd. 12# W	7/16 X 7/8	48/4T.12R	38
54061	50379A	TABS-9000	3 7/16	3 1/8	245	Bd. 12# W	7/16 X 7/8	50/Bulk	35
77129	50126S	Cash Source Plus 100/200/400	2.36	5 11/16	911	Thermal BLK	1/2 X 3/4	12/Bulk	27
77123	51009A	1064IX, 1072IX 4.8" repeat, Black Bar	3 5/32	9 3/8	2500	Thermal BLK	1 x 1 1/4	4/Bulk	32
77131	51009B	1064IX, 1072IX (Blank)	3 5/32	9 3/8	2500	Thermal BLK	1 x 1 1/4	4/Bulk	32

FUJITSU

00963		7000, 10, 20, 30, 40, Audit	3	3 3/16	195	Bd. 15# W	7/16 X 7/8	50/Bulk	30
60215		7010AP, 7020AP, 7030AP, 7031AP, 7040AP, w/Sense Mark -2 3/4" Repeat	6 1/8	6	700	Bd. 15# W	1 x 1 1/4	4/Bulk	19
60216		7015, 25, 45, w/Sense Mark-3" Repeat	3	9 1/2	1890	Bd. 15# W	1 x 1 1/4	4/Bulk	24

NCR

10942		5070, 5084, 5085, 5088 Receipt (Sense Marks, 4.4" Repeat)	3 1/4	10	2162	Bd. 15# W	11/16 X 1	4/Bulk	30
10947		(No Sense Mark)	3 1/4	10	2162	Bd. 15# W	11/16 X 1	4/Bulk	30
10937	5070D	5070, 5080 Audit, 5684, 5685 Journal	3 1/4	4	328	Bd. 15# W	11/16 X 1	18/Bulk	20
10949		5670 (with Bars, 4.4" Repeat) 5875, 5588, 5685	3 5/32	8 5/16	1982	OEM Approved Thermal Black	11/16 X 1	4/Bulk	27
10951		5670, 5588, 5875, 5685, No Sense Mark	3 5/32	8 5/16	1982	OEM Approved Thermal Black	11/16 X 1	4/Bulk	27
10950		5670 Audit, 5875, 5588	3 5/32	3 5/32	270	Thermal Black	7/16 X 7/8	50/Bulk	42

TIDEL

50200	IS1000	—	3	6	795	BD 15# W	7/16 X 7/8	6/Bulk	15
94228	IS6000	—	3 1/8	5	480	20# Thermal	1 x 1 1/4	8/Bulk	17

TRANAX

94236		Cross Mini Bank 1000, 2000 CSO	3 1/8	7	1370	Thermal	11/16 X 7/8	8 Rolls	34
94239		Cross Mini Bank 1000, 2000 CSI	3 1/8	7	932	Thermal - H.W.	11/16 X 7/8	8 Rolls	34
94237		Cross Mini Bank 1000, 2000 CSO (HWT)	3 1/8	7	932	Thermal - H.W.	11/16 X 7/8	8 Rolls	32
94238		Cross Mini Bank 1000, 2000 CSI	3 1/8	7	1370	Thermal	11/16 X 7/8	8 Rolls	32

(Custom printed atm receipts are available. Please call for a quote) Note: when ordering printed receipts, please indicate sense mark repeat.

Call 888-465-9951 if you do not see your Manufacturer or Model Number Listed

ATM - ROLLS

PAPER ROLL SPECIFICATIONS								PACKAGING	
Product No.	O.E.M. Code	Model	Width (In.)	Approx. Dia.(In.)	Approx. (Ft.)	Paper Description	Core I.D. x O.D.	Rolls Case/Pk.	Case Wt.

TRITON

50200	9500	Blank, No Sense Mark	3	6	795	Bd. 15 #W	7/16 x 7/8	6/Bulk	15
94114	9600	Blank, No Sense Mark	2 3/8	6	850	Thermal BLK	2 x 2 1/4	16/Bulk	32
00963		Audit-Triton 9500-9600	3	3 3/16	195	BD 15# W	7/16 x 7/8	50/Bulk	30
94234		FT 5000/RL5000 CSO	3 1/8	6	900	Thermal	2.0 x 2.25	8 Rolls	22
94235		FT5000/RL500 CSO (HWT)	3 1/8	6	600	Thermal	2.0 x 2.25	8 Rolls	21

FINANCIAL ROLLS

PAPER ROLL SPECIFICATIONS								PACKAGING	
Product No.	O.E.M. Code	Model	Width (In.)	Approx. Dia.(In.)	Approx. (Ft.)	Paper Description	Core I.D. x O.D.	Rolls Case/Pk.	Case Wt.

ADDMASTER

00135	—	2000, 2400	3	3	150	Bd. 15# W	7/16 x 7/8	50/Bulk	25
-------	---	------------	---	---	-----	-----------	------------	---------	----

BRANDT

85033	1100	855, 856, 2790, 2791, 2792	2 1/4	3	165	Bd. 15# W	7/16 x 7/8	50/Bulk	21
85024	1100	855, 856, 2790, 2791, 2792	2 1/4	3	165	Bd. 15# W	7/16 x 7/8	100/Bulk	39
85214	ANO 55	(2-PLY)	2 1/4	3	100	CL W/C	7/16 x 7/8	50/Bulk	23
85040	—	959	3	3	165	Bd. 15# W	7/16 x 7/8	50/Bulk	28
85216	—	(2-PLY)	3	3	100	CL W/C	7/16 x 7/8	50/Bulk	30

BURROUGHS - (See UNISYS)

DIEBOLD

77122	50488A	1000 MDS, 1050, 1060, 1062, 1073, 1074, IX Series (Sense Mark, Wound In)	2 3/4	7 9/16	1250	Bd. 15# W	7/16 x 7/8	8/Bulk	29
77126	50539A	1060Z, 1061, Phase I/II (Sense Mark, Wound Out)	2 3/4	7 9/16	1250	Bd. 15# W	7/16 x 7/8	8/Bulk	30
85015	50500A	1060 Audit	3	3 3/16	195	Bd. 15# W	7/16 x 7/8	48/4T.12R	31
85702	50379A	1000/9000 Audit	3 7/16	3 3/16	250	Bd. 12# W	7/16 x 7/8	48/4T.12R	38
54061	50379A	TABS-9000	3 7/16	3 1/8	245	Bd. 12# W	7/16 x 7/8	50/Bulk	35
77129	50126S	Cash Source Plus 100/200/400	2.36	5 11/16	911	Thermal BLK	1/2 x 3/4	12/Bulk	27
77123	51009A	1064IX, 1072IX 4.8" repeat, Black Bar	3 5/32	9 3/8	2500	Thermal BLK	1 x 1 1/4	4/Bulk	32
77131	51009B	1064IX, 1072IX (Blank)	3 5/32	9 3/8	2500	Thermal BLK	1 x 1 1/4	4/Bulk	32

DOCUMATE

85033	—	7000 Remittance Processor	2 1/4	3	165	Bd. 15# W	7/16 x 7/8	50/Bulk	21
00130	—	Documate 7000	2 1/4	3	155	High Bulk	7/16 x 7/8	100/Bulk	38

(Custom printed atm receipts are available. Please call for a quote) Note: when ordering printed receipts, please indicate sense mark repeat.

Call 888-465-9951 if you do not see your Manufacturer or Model Number Listed

FINANCIAL ROLLS

PAPER ROLL SPECIFICATIONS								PACKAGING	
Product No.	O.E.M. Code	Model	Width (In.)	Approx. Dia.(In.)	Approx. (Ft.)	Paper Description	Core I.D. x O.D.	Rolls Case/Pk.	Case Wt.

HEDMAN

85033	—	M-100, 102, 103, 105, 106, E1000, 1001, 1002,1003, 2000X, E2002	2 1/4	3	165	Bd. 15# W	7/16 X 7/8	50/Bulk	21
85024		2004, 2005	2 1/4	3	165	Bd. 15# W	7/16 X 7/8	100/Bulk	39
85214	—	(2-PLY)	2 1/4	3	100	CL W/C	7/16 X 7/8	50/Bulk	23

HONEYWELL/INCOTERM

85041	—	Receipt Journal Printer	3 7/8	3	165	Bd. 15# W	7/16 X 7/8	50/Bulk	34
95010	—	Admin. Terminal 7655	8 7/16	4 1/2	408	Bd. 15# W	1 x 1 1/4	12/Bulk	44

IBM

00906	7034712	3694 Pocket	1 3/4	3 3/16	195	Bd. 15# W	7/16 X 7/8	96/8T.12R	36
52074	—	3694 Pocket	1 3/4	3	165	Bd. 15# W	7/16 X 7/8	100/10B.10R	30
85024	—	1203, 3762	2 1/4	3	165	Bd. 15# W	7/16 X 7/8	100/Bulk	39
85202	457298	(2-PLY)	2 1/4	3	100	CL W/C	7/16 X 7/8	96/8T.12R	45
00962	131144	801, 802, 803, 1201 Control	2 3/4	3 3/16	195	Bd. 15# W	7/16 X 7/8	50/Bulk	29
51502	—	4770-2	3	3 1/8	170	High Bulk	7/16 X 7/8	50/Bulk	27
85042	7034714	3694 Lister	3 1/2	3	165	Bd. 15# W	7/16 X 7/8	50/Bulk	32

LUNDYS

85043	—	FMS100, 500	3 1/4	3	165	Bd. 15# W	7/16 X 7/8	48/4T.12R	29
85221	—	500 (2-PLY Teller	3 1/4	3	100	CL W/C	7/16 X 7/8	48/4T.12R	31

MAGNER

35216	—	4001	3	3	154	SC I7# W	7/16 X 7/8	72/6T.12R	39
35221	—	(2-PLY)	3	3	90	SC-CB/CF W/C	7/16 X 7/8	72/6T.12R	41
50278	—	—	3	3	95	SC-CB/CF W/W	7/16 X 7/8	50/Bulk	31

MAVERICK

85033	—	Micr I Journal	2 1/4	3	165	Bd. 15# W	7/16 X 7/8	50/Bulk	21
85024	—	—	2 1/4	3	165	Bd. 15# W	7/16 X 7/8	100/Bulk	39
85214	—	(2-PLY)	2 1/4	3	100	CL W/C	7/16 X 7/8	50/Bulk	23

MONEY PROCESSING SYSTEMS

35221	—	Magnum 4001	3	3	90	SC-CB/CF W/C	7/16 X 7/8	72/6T.12R	41
85221	—	Magnum 4001 Printer	3 1/4	3	100	CL W/C	7/16 X 7/8	48/4T.12R	31

MONROE

00962	—	3190 Audit	2 3/4	3 1/16	195	Bd. 15# W	7/16 X 7/8	50/Bulk	29
-------	---	------------	-------	--------	-----	-----------	------------	---------	----

(Custom printed atm receipts are available. Please call for a quote) Note: when ordering printed receipts, please indicate sense mark repeat.

Call 888-465-9951 if you do not see your Manufacturer or Model Number Listed

FINANCIAL ROLLS

PAPER ROLL SPECIFICATIONS								PACKAGING	
Product No.	O.E.M. Code	Model	Width (In.)	Approx. Dia.(In.)	Approx. (Ft.)	Paper Description	Core I.D. x O.D.	Rolls Case/Pk.	Case Wt.

NCR

85024	—	7740 Encoder	2 1/4	3	165	Bd.15# W	7/16 X 7/8	100/Bulk	39
10934	Thermal	7770 Proof, 7780	2.7	2 5/8	150	Thermal Black	7/16 X 7/8	48/4T.12R	22
10947		(No Sense Mark)	3 1/4	10	2162	Bd. 15# W	11/16 X 1	4/Bulk	30
10949		5670 (with Bars, 4.4" Repeat) 5875, 5588, 5685	3 5/32	8 5/16	1982	OEM Approved Thermal Black	11/16 X 1	4/Bulk	27
10951		5670, 5588, 5875, 5685, No Sense Mark	3 5/32	8 5/16	1982	OEM Approved Thermal Black	11/16 X 1	4/Bulk	27
10953	NCR 5848	PERSONA 50 w/o Sense Mark	3 5/32	5 1/2	850	Thermal	11/16 X 1	4 Rolls	11
50297	—	2162	3 1/4	2 7/8	90	SC-CB/CF W/C	11/16 X 1	60/Bulk	38
10942	—	5688, 5685 Receipt	3 1/4	10	2162	Bd. 15# W	11/16 X 1	4/Bulk	30
10937	—	5688, 5685 Audit	3 1/4	4	328	Bd. 15# W	11/16 X 1	18/Bulk	20
10950	—	5670 Audit	3 5/32	3 5/32	50	Thermal Black	7/16 X 7/8	50/Bulk	42

SHARP

35216	—	800J, 2300J, 2500J, 2600J, 6500J, 6510J	3	3	154	SC 17# W	7/16 X 7/8	72/6T.12R	39
35223	—	800J2, 2300J2, 2500J2, 2600J2	3	3	90	SC-CB/CF W/W	7/16 X 7/8	48/4T.12R	27
35224	—	800J2, 2300J2, 2500J2, 2600J2	3	3	90	SC-CB/CF W/C	7/16 X 7/8	48/4T.12R	28
35221	—	6500J2, 6510J2	3	3	90	SC-CB/CF W/C	7/16 X 7/8	72/6T.12R	41
50276	—	BE2500, 10, 20, 30	3	3	95	SC-CB/CF W/C	7/16 X 7/8	50/Bulk	31
50277	—	BE2300, 2500	3	3	137	SC 17# W	7/16 X 7/8	50/Bulk	25
50278	—	BE2500	3	3	90	SC-CB/CF W/W	7/16 X 7/8	50/Bulk	31

TIDEL

50200	IS1000	—	3	6	795	BD 15# W	7/16 X 7/8	6/Bulk	15
94228	IS6000	—	3 1/8	5	480	20# Thermal	1 X 1 1/4	8/Bulk	17

TOSHIBA

00954	—	CF400 Currency Sorter	2 1/4	2 1/4	95	Bd. 15# W	7/16 X 7/8	120/10T.12R	30
-------	---	-----------------------	-------	-------	----	-----------	------------	-------------	----

TRANAX

94236		Cross Mini Bank 1000, 2000 CSO	3 1/8	7	1370	Thermal	11/16 X 7/8	8 Rolls	34
94239		Cross Mini Bank 1000, 2000 CSI	3 1/8	7	932	Thermal - HW	11/16 X 7/8	8 Rolls	34
94237		Cross Mini Bank 1000, 2000 CSO (HWT)	3 1/8	7	932	Thermal - HW	11/16 X 7/8	8 Rolls	32
94238		Cross Mini Bank 1000, 2000 CSI	3 1/8	7	1370	Thermal - HW	11/16 X 7/8	8 Rolls	32

TRICOM

50277	—	TM 310CLT Audit	3	3	137	SC 17# W	7/16 X 7/8	50/Bulk	25
35221	—	TM 310CLT	3	3	90	SC-CB/CF W/C	7/16 X 7/8	12/72	41
50276	—	TM 310CLT	3	3	95	SC-CB/CF W/C	7/16 X 7/8	50/Bulk	31

(Custom printed atm receipts are available. Please call for a quote) Note: when ordering printed receipts, please indicate sense mark repeat.

Call 888-465-9951 if you do not see your Manufacturer or Model Number Listed

FINANCIAL ROLLS

PAPER ROLL SPECIFICATIONS								PACKAGING	
Product No.	O.E.M. Code	Model	Width (In.)	Approx. Dia.(In.)	Approx. (Ft.)	Paper Description	Core I.D. x O.D.	Rolls Case/Pk.	Case Wt.

TRITON

94234		FT 5000/RL5000 CSO	3 1/8	6	900	Thermal	2.0 x 2.25	8 Rolls	22
94235		FT5000/RL500 CSO (HWT)	3 1/8	6	600	Thermal	2.0 x 2.25	8 Rolls	21

UNISYS (Burroughs) — (Rolls)

52074	40-0715-022	S 1000, 1200, 1400, 1500, 1800 Detail	1 3/4	3	165	Bd. 15# W	7/16 X 7/8	100/10B.10R	27
00906	40-0175-022	S 1000, 1200, 1400, 1500, 1800 Detail	1 3/4	3 3/16	195	Bd. 15# W	7/16 X 7/8	96/8T.12R	36
85024	40-0223-020	S-100, 200 Detail, S-500 Encoder, TE1806	2 1/4	3	165	Bd. 15# W	7/16 X 7/8	100/Bulk	39
55212	44-6771-834	(2-PLY)	4 1/2	3	100	CL W/C	7/16 X 7/8	48/4T.12R	43

COIN/CURRENCY WRAPS

PAPER ROLL SPECIFICATIONS				
Product No.	Denomination	ABA Color	Packing	Case Weight

AUTOMATIC COIN WRAP ROLLS — 2000 WRAPS (50# WHITE KRAFT), 1000 FT/ROLL

97202	\$.50 Pennies	Red	8 Rolls	44
97204	\$ 2.00 Nickels	Blue	8 Rolls	44
97206	\$ 5.00 Dimes	Green	8 Rolls	39
97208	\$10.00 Quarters	Orange	8 Rolls	42

(Custom printed atm receipts are available. Please call for a quote) Note: when ordering printed receipts, please indicate sense mark repeat.
Call 888-465-9951 if you do not see your Manufacturer or Model Number Listed

RIBBONS, ROLLERS, CARTRIDGES, INK CARTRIDGES

Product No.	KEY	Manufacturer/Model Number	Ink Colors Available	Description	No. Per Box
-------------	-----	---------------------------	----------------------	-------------	-------------

BROTHER

79760	•	101S, 120, 121S, BSE 101/121	P,B	Cartridge, $\frac{7}{16}$ x 33'	6
79759	•	SR-402	P	Cartridge, anti backup, $\frac{5}{16}$ x 45'	6

C. ITOH

79726	•	1550, 1550AP, 1550B, 1550S, 7500, 8203A, 8210, 8500, 8500B, 8510, 8510S, 8600, Series 9500, C210, C215, 9515, C310, C315, PR85, Prowriter, 1550ED-I-II, 9600	B	Cartridge, $\frac{1}{2}$ x 30'	6
79396	•	5800, 89	P, B	T/S W/ EYELET, $\frac{1}{2}$ x 105'	6

D.H. PRINT

79773	•	4410/11/12/14, 4712, Tech LP, DHP, RTP, Generation 2/3	P, B	Cartridge, $\frac{5}{16}$ x 28'	6
-------	---	--	------	---------------------------------	---

DIEBOLD

79730	•	1000, 10602 Depositor, 1062, 1064, 1070, 1072/73/74 -all depositors, 50487	B	Depositor, Shield $\frac{1}{2}$ x 30'	6
79725	•	1060, 1062 Auto. Term., 1060i Cons./Jnl., 1062i Cons./Jnl., 1070i Cons./Jnl., 1072 Auto Term.	P, B	$\frac{1}{2}$ x 33' Cartridge	6
79731	•	(60 Col.) 1000, 1062, 1072, 1073, 1074, consumer, 50482 (60) column	B	Consumer, Cartridge $\frac{1}{2}$ x 75'	12
79622	•	906, 910, 911, 9000 ATM, 9100 Teller 50499	B	Ink Roller Kit (1 Rib./2 IR)	12
79720	•	(40 Col.) 1000 Audit, 100 Journal, 1060, 1072/73/74, 50483 Journal, 062	B	Journal 40 column, $\frac{1}{2}$ x 45'	12
79701	•	1060/CSP	B	Journal Printing Ribbon	6
77110213	Δ	Opteva 49-023941-000A	B	Depository Ink Cartridge	1
Call	Δ	Opteva 49-207511-000A	B	Depository Stamp	1
Call	Δ	Opteva 00-051630-000A	B	Depository Custom Stamp	3
Call	Δ	ix Bond 00-050903-000A	B	Statement Printer Ribbon	4
Call	Δ	IDM3 00-102797-000A	B	Top Print Depository Ribbon	4
Call	Δ	iQ Express 00-051196-000A	B	Delivery Ribbon	1
Call	Δ	Passbook 00-102944-000A	B	Printer Ribbon	1

EATON

79712	•	MP40, M45, M400, M410, 411, 413, 420, 421, 3000, 4000, 4000+, 4002, 4100, 4110, 4130, 4200, 4210, M4, 103289	P, B	MP-40, No Guide, $\frac{7}{16}$ x 33'	6
-------	---	--	------	---------------------------------------	---

Key— Δ OEM only, • Compatible only, # Both OEM and Compatible
 Ink Color Key— B-Black, P-Purple, P&R Purple and Red, B&R-Black and Red, T/S-Twin Spool
 Call 888-465-9951 if you do not see your Manufacturer or Model Number Listed

RIBBONS, ROLLERS, CARTRIDGES, INK CARTRIDGES

Product No.	KEY	Manufacturer/Model Number	Ink Colors Available	Description	No. Per Box
-------------	-----	---------------------------	----------------------	-------------	-------------

EPSON

79706	•	Actionprinter 1000, T1000, 2000, 3000, 4000, 5000, Apex 80, FX80/85/86E/800/850/870/880; JX80, L1000, LQ200, LQ300, LQ400/450/500/510/550/570/800/850/870; LX400/800/810/850; M3210/3310; MX70/80/82/85/90; RX10/70/80; X10	B	ERC04 1/2"x54	6
79839	•	MX80, FX80, RX80, LX800	P, B	Cartridge 1/2 x 54'	6
79825	•	DFX5000, 5000 PLUS, 8000, 85000	B	Cartridge 1/2 x 210'	6
79701	•	M200, 210, 220, 240, 9700, ERC03	P, B	ERC03, anit-backup 1/2 x 30'	6
79725	•	TM545, 515, 518,525, 545, 552; M505, M515, M518, M525, MO-4SA, CTM552, ERC11, ERC22, ERC40, M170, M190	P, B	ERC11, 1/2 x 33'	6
79728	•	M119, M250, 255, 260, 260C, 262, 264, 265, 270, 280, 280A, 285, 2720, M280V, 635, RM267, RP263, RP265, RP267 Series, TM267 Series, TM270, TM257	P, B, P&R, B&R	ERC23, 1/2 x 16'	6
79740	•	CTM290, CTM390, CTM930, M290, TM295, M295, M-12-PA, P-110, PS-110, MD-4SA, TMU290, TM-H3000R	P, B	ERC27, 3/8 x 13'	10
79774	•	M26SA, M31PA, M32SA, M62UA, M325, M325A, M590, M930, M930II, M395, M950, TM590/790/925/930/930II/950/5000/5000SLIP, TMU325/590/925/950/5000, U590	P, B	ERC31 1/2 x 42', anti-backup	6

FUJITSU

79821	•	CA-91002-1630, CA-91002-1631, 7015, R&S, 7025 R&S, 7045 R&S	P, B	Cartridge, 1/2 x 30'	6
79221	•	Act 1000, 2000 ATM	P, B, P&R	1/2 x 36' T/S w/ eyelets	12
79816	•	7000	B	Receipt Printer Ribbon	6
79760	•	7000	B	Cash Dispenser Ribbon	6
Call	•	ACT 4000/6000	B	Ribbon Cartridge	1

HERMES

79222	•	386, 3000, 3100, 3200, 3300, 3400, 3700, 4300, 4500, 4600, 4700, 4800, 5400, 5500, 5600, 5700	B&R	Cartridge 7/16 x 15'	12
-------	---	---	-----	----------------------	----

IBM

79783	•	4009, 2490, 2491, PPS-11 2480, 2481	B	Cartridge,woven loop, reinker	6
79121	•	3694 Proof, 3695 Proof	P, B&R	1/2 x 36" T/S No Eyelets	12
79333	•	3762 Journal	P, B, P&R, B&R	1/2 x 21' T/S Nylon	12
79746	•	4712 Teller	B	Cartridge, 7/16 x 33'	6
79221	•	801, 802, 803, 1201	P, B, P&R	1/2 X 36' T/S Nylon w/Eyelets	12
79626	•	3610, 3611, 3612, Teller	B	Inl Roller	12
79767	•	3616 Teller	B	Silver Dollar Loop, 9/16 x 30'	10
79189	•	4710, 4730, 4736 Teller	P	Cartridge, 1/2 x 45	6

Key— Δ OEM only, • Compatible only, # Both OEM and Compatible
 Ink Color Key— B-Black, P-Purple, P&R Purple and Red, B&R-Black and Red, T/S-Twin Spool
 Call 888-465-9951 if you do not see your Manufacturer or Model Number Listed

RIBBONS, ROLLERS, CARTRIDGES, INK CARTRIDGES

Product No.	KEY	Manufacturer/Model Number	Ink Colors Available	Description	No. Per Box
-------------	-----	---------------------------	----------------------	-------------	-------------

NCR

79130	Δ	7750, 7780, iTran	P, B	Replen ink-Check 21	12
79131	#	7766	P, B	Ink Roll	6
79132	#	7766	P, B	Nylon Endorser	6
79133	Δ	7780	P, B	Dual Lines Prog. Endorser LL	6
79134	#	7780, iTran 8000/180e/300e	B	Jetwrite Ink	1
79135	#	7780	B	MICR Encoding	8
79136	#	7720	B	Programmable Endorser	6
79137	#	5223 Model 2	B	Passbook Printer Cassette	4
79138	Δ	5223	B	Cassette	4
77471512	Δ	iTRAN	B	Inkjet Graphical Endorser	1
77110411	Δ	7731, 5070, 5081, 5088, 5588, 5639, 5675, 5685, 5688, 5860, 5875, 5885, 5888, Teller-Scan 200, Teller-Scan 350EBS	B	HP Inkjet 51604A	1
79713	•	6417	B	NCR 6417	12
79729B	•	2140	B	Answer Cassette	6
79729P	•	2140	P	Answer Cassette	6
79796	•	5663 J&R, 5674 J&R, 5674, 5675 J&R, 5682 J&R, 5684 J&R, 5685 J&R, 5688 J&R, 56xx	B, P	Cartridge, 1/2 x 30' ATM Receipt	6
79747	•	2281, 2282, 2285, 2593, Solution Printers, 5070, 6470, 56xx	P, B	PIANO Cartridge, 1/2 x 30'	2
79740	•	5100 Work Station, 7445 Slip	P, B	ERC23, 3/8 x 13'	6
79703	•	3719, 4501, 4504, 5025, 2251 5023 Passbook, 7750/7760 Endorsers	B	1/2 x 30' Common Cassette	12
79777	•	7750, 7760	P	Answer Cassette	6
79780	•	7740, 7750, 7760, 7770, Lundy M20	B	Encoder 80 MICR	6
79876	•	7766, 7780	B	MICR Ribbon	8
79990	•	7766	B	MTTR Ribbon	8
79991	#	7766	B	Laser Imp. MTTR Low Speed	8
79992	#	7731	B	MTTR 105'	6
79749	•	5070, 5085, 5088	B	Cartridge, 11/32 x 30'	6
79826	•	AT&T 620, 621, 622 + NCR	B	Tally MT 600	4
Call	Δ	56xx/58xx	B	Depository Cartridge	1
Call	Δ	56xx Impact	B	Statement Printer Ribbons	6

Key— Δ OEM only, • Compatible only, # Both OEM and Compatible
 Ink Color Key— B-Black, P-Purple, P&R Purple and Red, B&R-Black and Red, T/S-Twin Spool
 Call 888-465-9951 if you do not see your Manufacturer or Model Number Listed

RIBBONS, ROLLERS, CARTRIDGES

Product No.	KEY	Manufacturer/Model Number	Ink Colors Available	Description	No. Per Box
-------------	-----	---------------------------	----------------------	-------------	-------------

OKIDATA

79221	•	80, 82, 83, 92, 93, 94	P,B	1/2 x 36', Nylon w/ eyelet	6
79713	•	50, 90, 120, 172, 180, 182, 183, 184, 190, 192, 193, 194, 195, 240, 280, 320, 321, 380, 386, 390, 391, 3320, 3390, 3391	P, B	Cartridge woven loop, reinker	12
79770	•	520, 590, 591	B	Cartridge woven loop, reinker	6

PANASONIC

79792	•	KXP 150/2120/2123/2124/2133/2180	B	Cartridge, woven loop, reinker	6
-------	---	----------------------------------	---	--------------------------------	---

PRINTRONIX

79000	•	P300/600, L300/600	B	Description Ribbon, Gen Pur(Text/OCR), 30M, Legacy	6
-------	---	--------------------	---	--	---

SHARP

79225	•	BE3500 Teller	P, B	1/2 x 21', T/S Plastic Nylon	12
79333	•	ZL6000, ZL6100	P, B, P&R, B&R	1/2 x 21' T/S Nylon	12
79760	•	BE2300, 2310	P	7/16 x 39'	6

STAR MICRONICS

79786	•	CAT, MP200, 212, 216, 221, RC200P, 200, 200-1B, SP200, 212, 212FC, 212FD, 212F, 216, 216 F24, F216 F12, 216F, 216FC, 216FD, 242, 246, 298 Slip, 2000, 2320, 2360, 2500, 2520, 2560	P, B, B&R	Cartridge, mobius, 1/2 x 15'	6
-------	---	--	-----------	------------------------------	---

TRITON

79728	•	X 1500	P, B, P&R, B&R	ERC23, 1/2 x 16'	12
-------	---	--------	----------------	------------------	----

Key— Δ OEM only, • Compatible only, # Both OEM and Compatible
 Ink Color Key— B-Black, P-Purple, P&R Purple and Red, B&R-Black and Red, T/S-Twin Spool
 Call 888-465-9951 if you do not see your Manufacturer or Model Number Listed

RIBBONS, ROLLERS, CARTRIDGES

Product No.	KEY	Manufacturer/Model Number	Ink Colors Available	Description	No. Per Box
-------------	-----	---------------------------	----------------------	-------------	-------------

UNISYS (BURROUGHS)

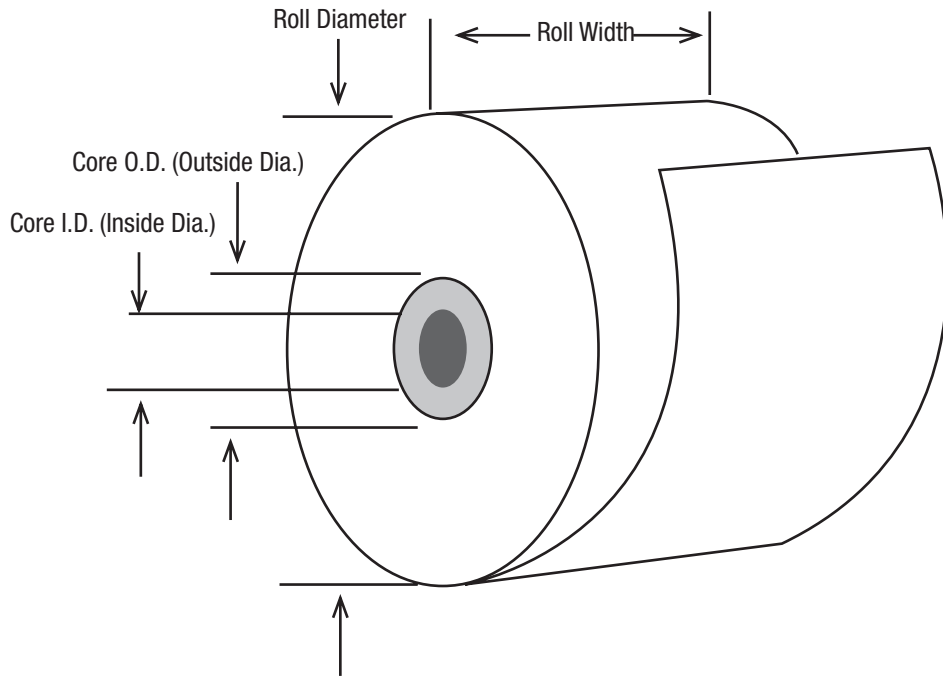
79728	•	TRANZ-330	P, B, B&R, P&R	ERC23, Cartridge, 1 ¹ / ₃₂ x 42'	6
79737	•	TRANZ-420	P	ERC09, woven loop, reinker	12
79121	•	B9253, EP30, 900, 3500, 6500, 9253	P, B&R	1 ¹ / ₂ x 36', T/S, No eyelets	12
79333	•	C2050, C2400	P, B, P&R, B&R	1 ¹ / ₂ x 21' T/S, Nylon, C-wind	12

VERIPHONE

79794	•	700, 750, 900, 990, CRM-0023, 7000, 9000	P, B&R,	Cartridge, 1 ¹ / ₂ x 30'	6
79728	•	250 Series, CRM-00902, CRM-00903, 380, XJ, XPE, P250, P500, Diamond, Emerald, Gemstone, Sapphire, TRANZ 330, VRP2000	P, B, P&R, B&R	ERC23, 1 ¹ / ₂ x 12'	6
79774	•	Ruby, CRM0022-02, 930R, N-S	P,B	ERC31, 1 ¹ / ₂ x42	6
79737	•	FORTRONICS, TRANZ420, CRM0012, 460	P, B	Cartridge 1 ¹ / ₂ x 15'	12

Key— Δ OEM only, • Compatible only, # Both OEM and Compatible
 Ink Color Key— B-Black, P-Purple, P&R Purple and Red, B&R-Black and Red, T/S-Twin Spool
 Call 888-465-9951 if you do not see your Manufacturer or Model Number Listed

BASIC SPECIFICATIONS FOR PAPER ROLLS



Basic Specs

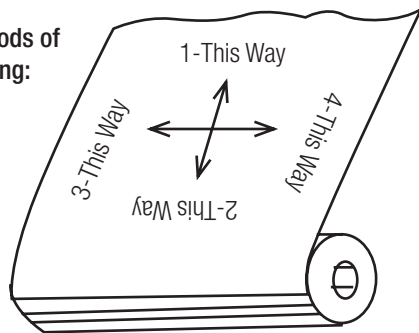
1. Width
2. Diameter
3. Core I.D.
4. Paper
5. Footage

Printed*

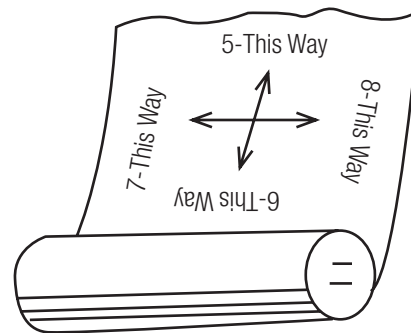
1. PMS Color
2. Number of Colors
3. Printed on Face and/or Back
4. Screen Value
5. Which Ply Printed
6. Printing Direction
7. Repeat Length of Printed Image
8. Camera Ready Art
9. Machine Make and Model
- If ATM, add:
10. Repeat Length of Sense Mark

METHODS OF PRINTING AND WRITING: These diagrams are to demonstrate how the finished roll is to be completed. Please indicate by number the type of printing and winding required on the order.

Methods of printing:



Winding: Face printing outside.



Face printing inside.

NOTE:

- Recommend no printing on image side of thermal paper nor on the face of second/third ply of carbonless paper. If customer understands this statement but still wants the roll printed this way, please make this request in writing.
- All printed orders are subject to 10% plus or minus variance.
- No printed orders may be returned unless defective in workmanship and/or material.

Why Buy Compatible?

You should buy compatible printer cartridges because they...



Compatible toner and inkjet cartridges account for an estimated 20% of worldwide imaging supply sales. Approximately \$3 billion to \$5 billion of compatible imaging supplies are sold world-wide each year. In the past several years, major office supply retailers have begun offering their own private-label compatible imaging supplies. An estimated 40% of all small to medium businesses in the U.S. have begun using compatible cartridges for all or a portion of their imaging supplies.

Consumers are choosing compatible over OEM for 4 main reasons:

1 *Benefit the Environment*

- Over 500 million pounds of plastic and metal from used toner and inkjet cartridges are dumped in landfills around the world
- On average, each compatible cartridge sold prevents as much as 3 pounds of waste from going into landfills

2 *Superior Performance*

- High quality compatible cartridges have been tested and verified by independent third-party organizations to print more pages at a darker density level than equivalent OEM cartridges

3 *Cost Effective*

- According to industry analysts, manufacturers Lexmark, Canon, Epson and other original equipment manufacturers (OEM) have margins of 60% or more on their imaging supplies
- Compatible manufacturers, by using a higher percentage of recycled components, can save consumers from 10%-30% off the OEM cartridges

4 *Warranty*

- Using compatible ink cartridges will NOT affect the warranty of your printer. It is illegal for a company to void your warranty just because you use a compatible ink product.

Contact us now to find out how you can help the environment, improve your printing, and save money!

Call 888-465-9951 with your printer make and model number